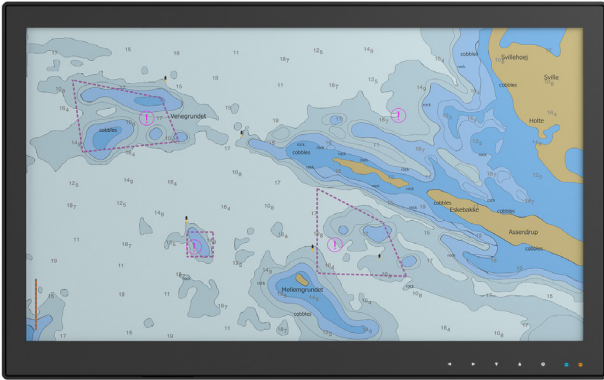


DuraMON 22" S-Line

Wide Screen Monitor for Marine Applications



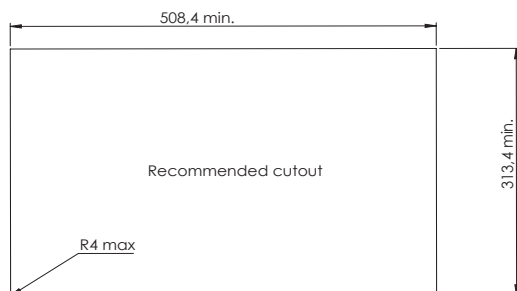
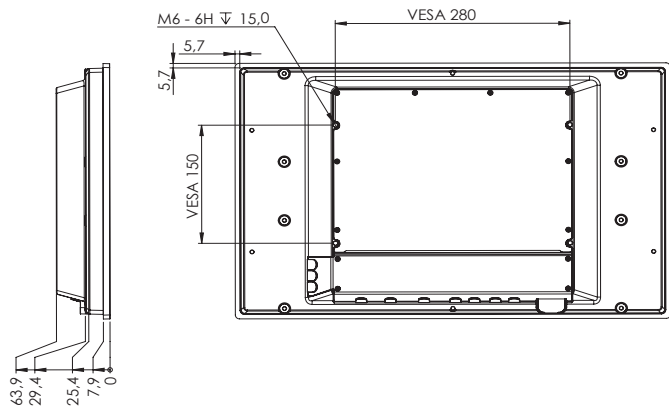
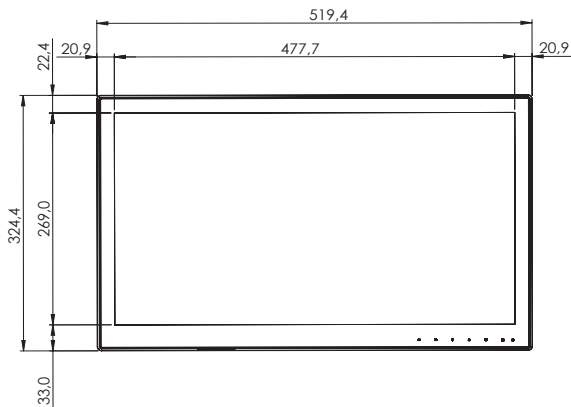
DuraMON 22" S-Line monitors are designed for marine, naval and other demanding environments where reliable and durable hardware is required.

The S-Line product family is an up-to-date and cost efficient design featuring super slim design, narrow bezel, low weight and low power consumption.

✓ 60945 Type Approval

Mechanical outline

DuraMON 22" S-Line



Table/ceiling bracket available - ISIC PN XXXXX-XXX

Specifications DuraMON 22" S-Line

Display properties

Size	21.5" wide screen
Aspect ratio	16:9
Active area	476.1 x 267.7 mm
Luminance	400 Cd/m2 typical
Contrast	1000:1 typical
Native resolution	1920 x 1080 (Full HD)
View angle	89° (L/R/T/B) typical
Glass	Anti reflective and thermal toughened
Touch	P-Cap multi touch

Input/output terminals

DP video input	2 x DP 1.2
USB	1 x USB type B, Touch & virtual serial COM
AUX	1 x 2.5 mm Jack, remote control - optional

Operator control interface & OSD

Power	Power on/off (press for 10 sec. to turn off)
Up	Navigate menu / adjust backlight up
Down	Navigate menu / adjust backlight down
Select	Navigate menu / Select
Back	Navigate menu / Back

Power supply / power consumption

AC power	100 - 240 VAC 50/60Hz
DC power	24 VDC - optional
AC/DC dual power	100- 240 VAC & 24 VDC - optional
Typ. Consumption	10 W
Max. Consumption	28 W

Physical dimensions

Dimensions	519 (W) x 324 (H) x 64 (D) mm
Dimensions in box	620 (W) x 450 (H) x 160 (D) mm
Weight	7.0 kg
Weight in box	9.0 kg

Environmental

Operating temp.	- 15 to 55° C
Storage temp.	- 25 to 70° C
Humidity	8 to 95% relative humidity
Protection	IP56 from front - IP22 from rear
Materials encl.	Sea water resistant Aluminum
Surface treatment	Black Powder coating RAL 9005

Options & accessories

Console bracket	Console mount bracket kit (10064-000)
Table bracket	Table/ceiling bracket kit (XXXXX-XXX)

Approvals & Certificates

CE mark	EN 61000-6-2 & EN 61000-6-4
Marine	IACS E10 rev. 8 & IEC 60945 ed. 4
Certificate	DNV, LR, ABS,BV, CCS, KR, Class NK
Certificate	PRS, RINA
Compass SD	XX cm (stand.) XX cm (steer.)